

NUPI 66 GATE OPERATOR

Technical specifications

ELECTRIC MOTOR

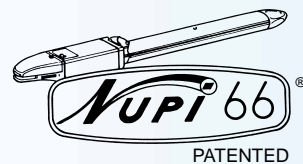
Power output	0.18 KW (0.25 HP)
Supply voltage/Frequency	230 V - 50 Hz
Absorbed current	1.2 A
Absorbed power	250 W
Capacitor	12.5 µF
Motor rotation speed.....	1'350 rpm
Intermittent service.....	S 3
Flexible electric cable	CEI 20-52 FROR 450/750 V
Class	H
Gate height	1'200
Gate width	1'600
Static weight per gate leaf.....	70-100 Kg

OIL-HYDRAULIC OPERATOR

Pump flow rate-P5	1.4 l/min.
Working pressure	2 MPa (20 bars)
Working temperature.....	-20°C +80°C
Shaft travelling time.....	21 s
Power oil.....	A 15 FADINI by AGIP
Piston stroke.....	280 mm
Piston diameter	45 mm
Shaft diameter	16 mm
Pushing power open.....	2'720 N
Pulling power close.....	3'120 N
Weight of Nupi 66 complete	8 Kg
Max. gate weight.....	80 Kg
Protection standards.....	IP 553
Overall dimensions (LxWxH)	1'240x86x86 mm
Duty cycle:	19 sec. opening - 30 sec. stop - 21 sec. closing
Time of one complete cycle.....	70 s
N. of complete cycles Opening - Stop - Closing.....	N. 51/h
Cycles a year, 8 hours' service a day	N. 150'000

WARNINGS

- Waste oil and packing materials (such as cardboard, polystyrene, and nylon) must be disposed of properly through specialised companies.
- The electrical equipment must be properly earthed.

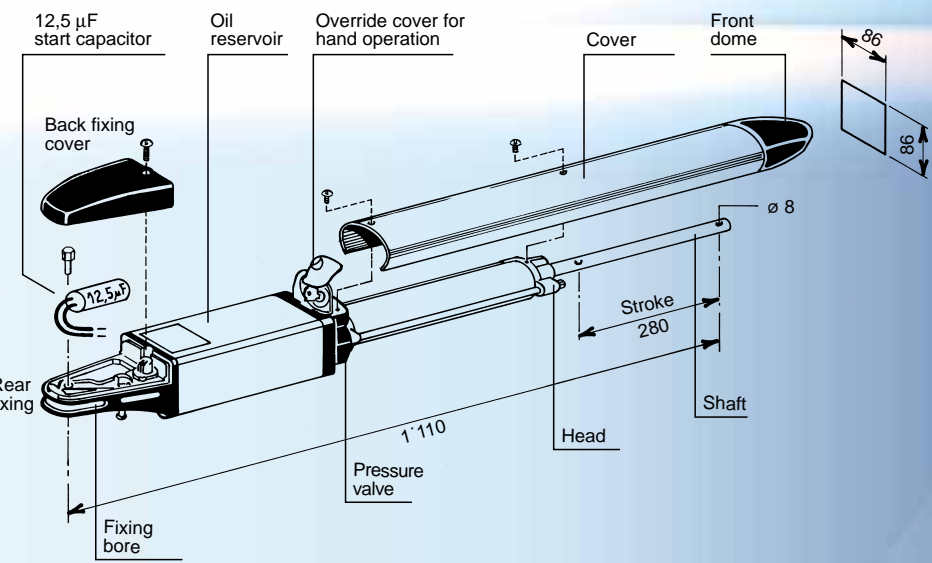


DISTRIBUTED BY
TRANSAUS AUSTRALIA
☎ 1300 139 102
www.transaus.com.au

The manufacturers reserve the right to change the products without any previous notice



Accessories



EUROPEAN MARK CERTIFYING CONFORMITY TO THE ESSENTIAL REQUIREMENTS OF THE STANDARDS 98/37/EC

- DECLARATION OF CONFORMITY
- GENERAL WARNINGS
- EN 12453, EN 12445 STANDARDS
- CEI EN 60204-1 STANDARDS
- WARRANTY CERTIFICATE ON THE CUSTOMER'S REQUEST

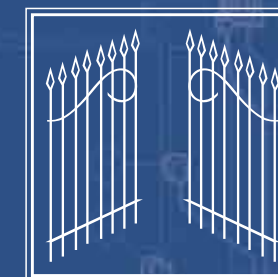
The "CE" mark certifies that the operator conforms to the essential requirements of the European Directive art. 10 EEC 73/23, in relation to the manufacturer's declaration for the supplied items, in compliance with the body of the regulations ISO 9000=UNI EN 29000. Automation in conformity to EN 12453, EN 12445 safety standard. The growth of MECCANICA FADINI has always been based on the development of guaranteed products thanks to our "TOTAL QUALITY CONTROL" system which ensures constant quality standards, updated knowledge of the European Standards and compliance with their requirements, in view of an ever increasing process of improvement.

Lineagrafica 1-2004

NUPI

66

- Oil-hydraulic operator
- For double swinging gates
- Quiet, reliable, safe



FADINI
the gate opener

Oil-hydraulic operator for double swinging gates

NUPI 66 is an oil-hydraulic actuator to operate double swinging gates where each gate has a maximum recommended width of 2 meters. A linear streamlined profile makes it the ideal solution to automate your gates respecting the aesthetic appearance and design of gate. It can suit a variety of applications ranging from the light residential, semi-intensive requirements of house owners and block of flats to heavy duty service in particular applications, independently from high and low temperature, maintaining a good performance within a temperature range from -20°C up to +80°C. The compact design, which incorporates the motor, pump and the innovative valve assembly in a single block fully reflects FAIDINI's attention to the research of new technologies, aiming to improve the quality of the products and ease of application and use. The electronic control of the unit is by a single microprocessor "ELPRO 7 Intelligent" which incorporates a complete programme of functions and makes the system easy to install and most reliable for the final user. An example of high technology in hydraulic engineering are the

lobe pump and the innovative oil circuit design which guarantee smooth and even movements of the actuator shaft and make the operator a fully safe anti-crush unit. In emergency situations or power failure, overriding the mechanism for manual operations is very easy and quick: insert your custom-toothed key in the lock barrel (a flap suitably protects it) and open the black cover.

This allows the system to be operated by hand. The expertise acquired by Fadini can be summed up in essential features such as innovative, nice and functional design, the use of high quality materials, special treatments to prevent rust, severe tests and strict quality control to achieve a fully guaranteed, durable product.



Rear fixing plate
Operator connection

Front fixing
Shaft connection



- Ⓐ Open cover flap
- Ⓑ Open cover to release
- Ⓒ Capacitor fixed into place
- Ⓓ Operator shaft fixed to the gate



Ⓓ