

MEC 200 GATE OPERATOR

Accessories



ELPRO 10 CEI electronic programmer **SECH 15** keyswitch **PULIN 3** button switch **LAPI 2** - flashing lamp with protection cage **ASTRO 43** rod aerial **DIFO 33** photocells **ASTRO 43 SAW** radio receiver **ASTRO 43/2 TR** quartz transmitter

Technical specifications

ELECTRIC MOTORS

	Single-phase	Three-phase	Single-phase	Three-phase	Three-phase
Power output	0.37 KW (0.5 HP)	0.37 KW (0.5 HP)	0.73 KW (1 HP)	0.73 KW (1 HP)	1.1 KW (1.5 HP)
Supply voltage / Frequency	230 V - 50 Hz	230/400 V - 50 Hz	230 V - 50 Hz	230/400 V - 50 Hz	230/400 V - 50 Hz
Absorbed power	510 W	575 W	1'130 W	1'030 W	1'500 W
Absorbed current	2.4 A	2.1/1.2 A	5.7 A	3.7/2.2 A	5.1/3 A
Motor rotation speed	1'380 rpm	1'380 rpm	1'380 rpm	1'380 rpm	1'380 rpm
Capacitor	20 µF		30 µF		
Intermittent service	S3	S3	S3	S3	S3

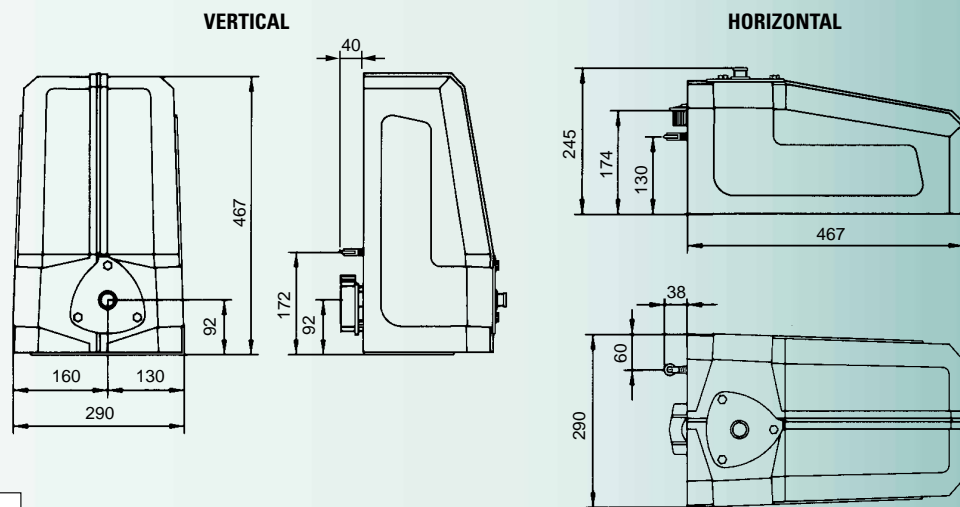
OPERATOR

Max. torque	25 da Nm	25 da Nm	50 da Nm	50 da Nm	76 da Nm
Gear ratio	1/32				
Travelling speed	9.6 m/min.				
Working temperature	-20°C +80°C				
Oil type	Agip ROTRA THT - W80 - Kg 0.22				
Max. gate weight	400 Kg	450 Kg	800 Kg	850 Kg	1'200 Kg
Weight of MEC 200 vertical	19 Kg	18 Kg	23 Kg	21 Kg	25 Kg
Weight of MEC 200 horizontal	19.5 Kg	18.5 Kg	23.5 Kg	21.5 Kg	25.5 Kg
IP Standards	IP 557				

Duty cycle25 sec. Opening - 30 sec. Stop - 25 sec. Closing
 Time of one complete cycle80 s
 No. of complete cycles Opening-Stop-Closing45/hour
 No. of cycles a year, 8 hours a day131'000

WARNINGS

- Dispose properly of packaging materials (cardboard, polystyrene, nylon) through specialised companies.
- All the electrical equipment to be properly earthed.



DISTRIBUTED BY
TRANSMISSION AUSTRALIA
 ☎ 1300 139 102
 www.transaus.com.au

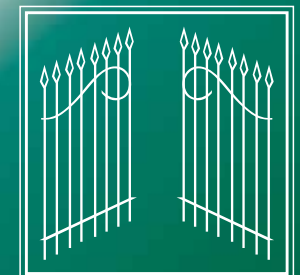


EUROPEAN MARK CERTIFYING CONFORMITY TO THE ESSENTIAL REQUIREMENTS OF THE STANDARDS 98/37 EC

- DECLARATION OF CONFORMITY
- GENERAL WARNINGS
- UNI 8612 STANDARDS
- CEI EN 60204-1 STANDARDS
- WARRANTY CERTIFICATE ON THE CUSTOMER'S REQUEST

The "CE" mark certifies that the operator conforms to the essential requirements of the European Directive art. 10 EEC 73/23, in relation to the manufacturer's declaration for the supplied items, in compliance with the body of the regulations ISO 9000=UNI EN 29000. Automation in conformity to UNI 8612 safety standards.
 The growth of MECCANICA FADINI has always been based on the development of guaranteed products thanks to our "TOTAL QUALITY CONTROL" system which ensures constant quality standards, updated knowledge of the European Standards and compliance with their requirements, in view of an ever increasing process of improvement.

meccanica FADINI s.n.c.
 AUTOMATIC GATE MANUFACTURERS



FADINI
 the gate opener

MEC 200

- Sliding gate operator
- Electro-mechanical



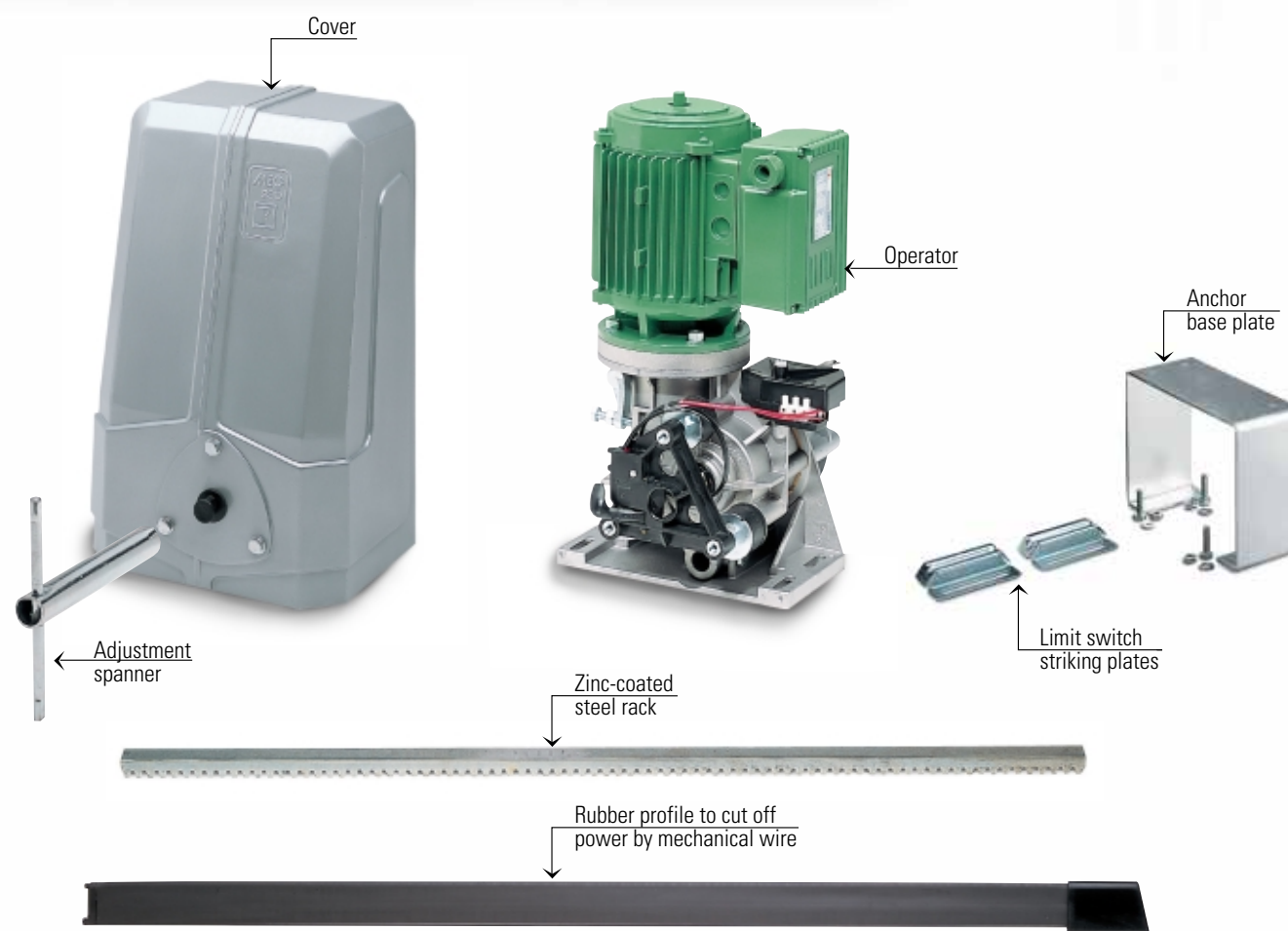
Electro-mechanical sliding gate operator



MEC 200's, electromechanical equipment, both vertical and horizontal, have been designed to be installed on any gates, even of considerable dimensions, as they can stand very well settling and expansion effects that gates usually undergo.

They are made of die cast aluminium and have a large cover that can house a programmer in a proper seat. The programmer transmits the commands of the logics and performs either automatically or semiautomatically and is connected to devices that avoid running over and crushing, as required in conformity with UNI 8612 safety regulations. Driving movements perform in oil bath. The steel shaft and the gear, made of special bronze, are supported by bearings, and the worm is coupled to steel and brass disks providing torque control. The clutch is adjustable from outside so that the driving force achieved can be controlled to avoid crushing, in case of power failure the electromechanical assembly is equipped with emergency release acting on the central shaft, and by means of a spanner it is possible to unlock the operator and operate the gate manually. MEC 200's are also provided with a safety switch that cuts off low tension current whenever the cover is taken off or the release spanner is inserted, with incorporated limit switches and stop plates and with a bracket and bolts to fasten the operator to the ground. MEC 200's - vertical and horizontal - can be requested with horse

power rating: 0.5 hp - 1.0 hp - 1.5 hp. The first two models are both three-phase and single-phase, 1.5 hp model is three phase only. MEC 200 motor reducers have been studied and achieved after long experience in the sector of automatic gate openers and are constructed entirely by Meccanica Fadini whose prestige and reliability have made it one of the most advanced firm in this line.



- Ⓐ Electro-mechanical operator, horizontal
- Ⓑ Electro-mechanical operator, vertical
- Ⓒ Details: drive gear
- Ⓓ

