

GIRRI 130 GATE OPERATOR

Technical specifications

ELECTRIC MOTOR

Power output	0.25 KW (0.33 HP)
Supply voltage/Frequency	230 V - 50 Hz
Absorbed current	2.5 A
Absorbed power	530 W
Capacitor	20 µF / 450 V
Motor rotation speed	1'320 rpm
Intermittent service	S 3
Insulation class	F

ELECTRO-MECHANICAL OPERATOR

Type of lubrication by Agip	MU/EP1 Grease
Travel speed	10 m/min.
Rated torque	28.0 Nm
Weight of the operator	14 Kg
Static weight of the gate	400 Kg
Gear rating	1/30
Environment temperature	-25°C +70°C
Protection standards	IP 535
Duty cycle:	30 sec. opening - 30 sec. stop - 30 sec. closing
Time of one complete cycle	90 s
No. of complete cycles Opening - Stop - Closing	No. 40/h
Cycles a year, 8 hours' service a day	No. 116'000

WARNINGS

- Packing materials (such as cardboard, polystyrene, and nylon) must be disposed of properly through specialised companies.
- The electrical equipment must be properly earthed.



DISTRIBUTED BY
TRANSMISSION AUSTRALIA
☎ 1300 139 102
www.transaus.com.au

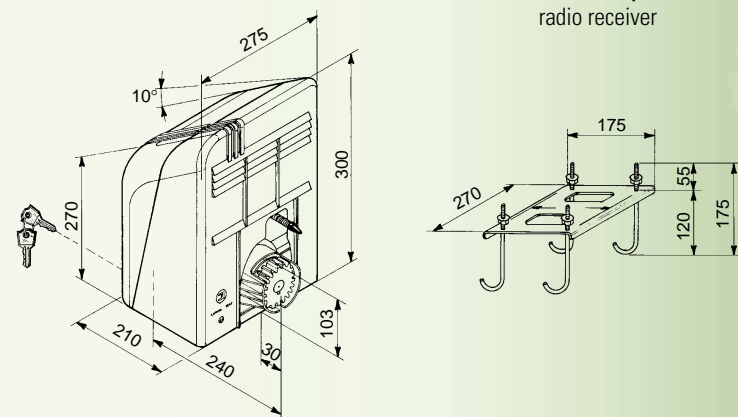
The manufacturers reserve the right to change the products without any previous notice

meccanica FADINI s.n.c.
AUTOMATIC GATE MANUFACTURERS

Complete kit package



Optional accessories



- CE** EUROPEAN MARK CERTIFYING CONFORMITY TO THE ESSENTIAL REQUIREMENTS OF THE STANDARDS 98/37 EC
- DECLARATION OF CONFORMITY
 - GENERAL WARNINGS
 - UNI 8612 STANDARDS
 - CEI EN 60204-1 STANDARDS
 - WARRANTY CERTIFICATE ON THE CUSTOMER'S REQUEST

The "CE" mark certifies that the operator conforms to the essential requirements of the European Directive art. 10 EEC 73/23, in relation to the manufacturer's declaration for the supplied items, in compliance with the body of the regulations ISO 9000-UNI EN 29000. Automation in conformity to UNI 8612 safety standards. The growth of MECCANICA FADINI has always been based on the development of guaranteed products thanks to our "TOTAL QUALITY CONTROL" system which ensures constant quality standards, updated knowledge of the European Standards and compliance with their requirements, in view of an ever increasing process of improvement.

GIRRI 130

- Sliding gate operator
- Electro-mechanical
- For gates up to 400 kg
- Heavy duty residential applications



FADINI
the gate opener

Complete kit automation for a sliding gate



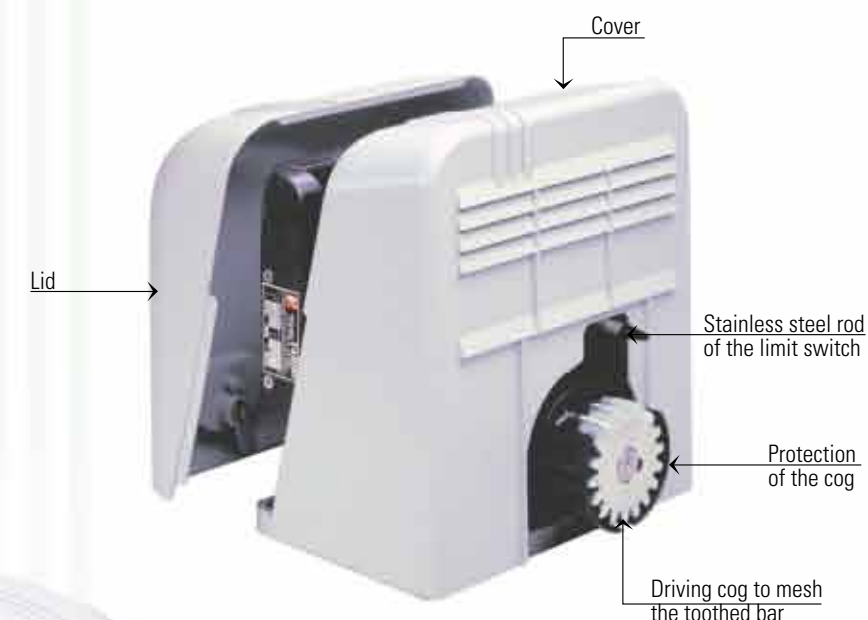
GIRRI 130 is an electro-mechanical operator designed to be installed to medium size sliding gates up to 400 Kg of weight. It is compact to take up as little room as possible, made of pressure cast aluminium, fitted with a fixing base plate to firmly anchor the operator to the ground, suitable holes are provided in the plate to allow the electric command cables and the mains to go through. The electric motor and the gear worm are in vertical position; the shaft is coupled to the cog which is fitted outside the cover; the shape of the cover with rounded corners and suitable slots to provide aeration to the motor/gear assembly makes the unit very compact and pleasing to the eye. The electronics, built-in under the cover, is designed to provide facilities for all the operations the gate is required to perform through the command devices, the photocells, remote control, push buttons, for the warning light, for the anti-crush devices and for the adjustment of the pushing/pulling power generated by the motor. All this makes the operator safe and reliable. The central shaft is fitted with the worm and is coupled to the helical gear.

It is supported by bearings and special bushings, self-lubricated with grease to eliminate the friction from the moving parts. The manual release is by a knob which is protected inside the cover, the front part of which can be removed and locked back to the original position by means of an encoded key. This is an assurance that the operator is securely locked up, but can be easily opened and released in case of an emergency like a power failure. The outer driving cog is

protected by special shoes to prevent objects/parts of body from being trapped between the teeth during the motion of the gate. The limit switch is mechanical and is fixed under the cover. It is fitted with two dip-switches which are mechanically activated by a stainless steel rod that juts out of the cover and is to strike a suitably shaped plate on the gate. This brings the gate to a steady halt through the electronic card which passes the stop command on to the brake in the electric motor. Once the lockable cover is removed, the low voltage circuit is automatically disconnected by means of a micro-switch under the cover. This stops the equipment working in the case of servicing, repairing or adjusting. The option is given (only on the customers' request) of a line switch to cut off the mains. All the accessories, providing either operating pulses or safety functions, are easy to connect by keeping to the instructions provided with GIRRI 130. The guarantee that it is a good,

reliable and long life unit is directly certified by "MECCANICA FADINI" thanks to its expertise achieved over many years' experience.

Ⓐ Girri 130 and photocell



Anchor base plate