



**TRANSMISSION**  
A U S T R A L I A

# Slide Rails

Sales: 1300 139 102  
www.transaus.com.au

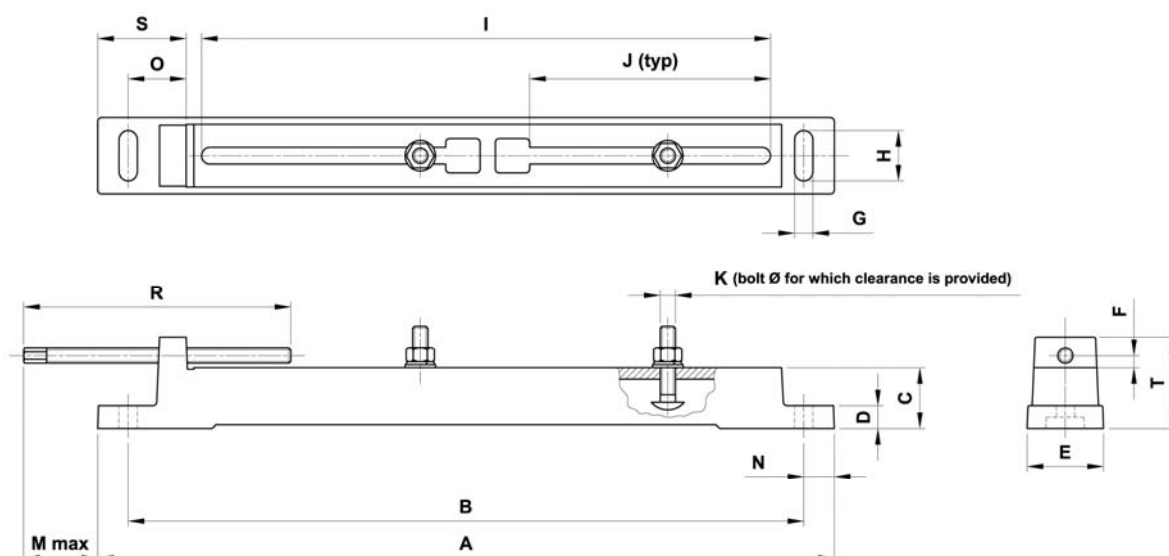
**SLIDE RAILS** are designed for motor position adjustment. Applications include tension adjustment for belt driven equipment.

Rail sets are manufactured from cast iron and provided with mounting bolts and nuts between motor and rail.

Transmission Australia stock slide rails to suit frame sizes 80 to 355.

For further technical or sales advice please contact your nearest Transmission Australia branch on **1300 139 102**.

## DIMENSIONS



Part No	Frame Size	A	B	C	D	E	F	G	H	I	J	K	M	N	O	R	S	T	WEIGHT KGS
MR080090	80 & 90	375	325	30	18	48	10	13	25	240	90	8	70	25	40	145	65	48	3.5
MR100132	100, 112 & 132	480	430	37	19	70	10	14	30	335	135	10	115	25	45	200	70	58	7.5
MR160180	160 & 180	570	520	48	19	72	11	18	35	390	155	12	100	25	60	200	85	70	10
MR200225	200 & 225	790	730	60	32	90	16	20	20	605	260	16	180	30	60	290	90	92	22
MR250280	250 & 280	940	870	72	38	100	16	22	22	725	305	20	230	35	65	350	100	110	37
MR315355	315 & 355	1215	1115	125	40	122	20	30	30	915	385	24	275	50	105	450	155	170	87