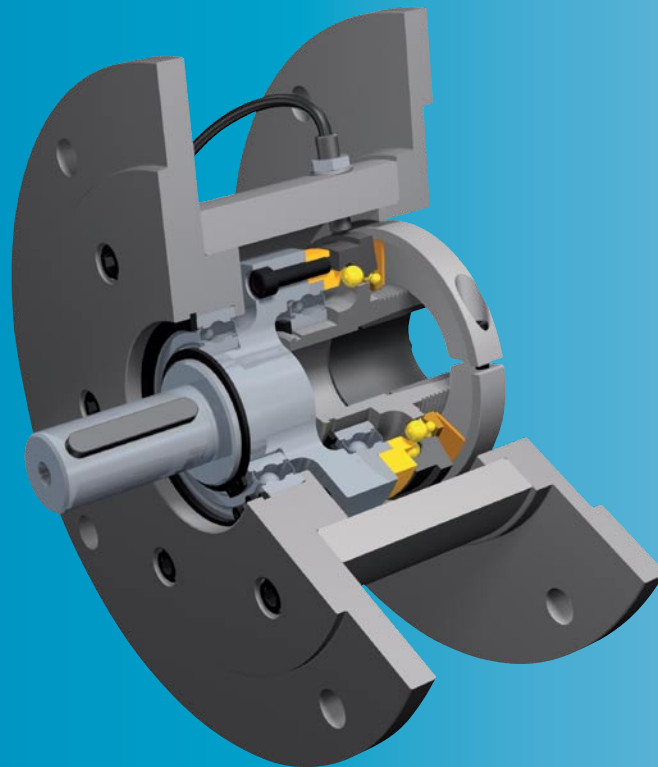


EAS[®]-HTL

Housed Torque Limiter



www.mayr[®].de

Safety clutch enclosed in an IEC + NEMA flanged housing

- ***Backlash-free safety clutch***
- ***Integrated limit switch***
- ***Versatile functions***

P.HTL.V08.GB

mayr[®]
your reliable partner

Versatile Functions

Synchronous, ratchetting or overload clutch designs.

Solid Housing

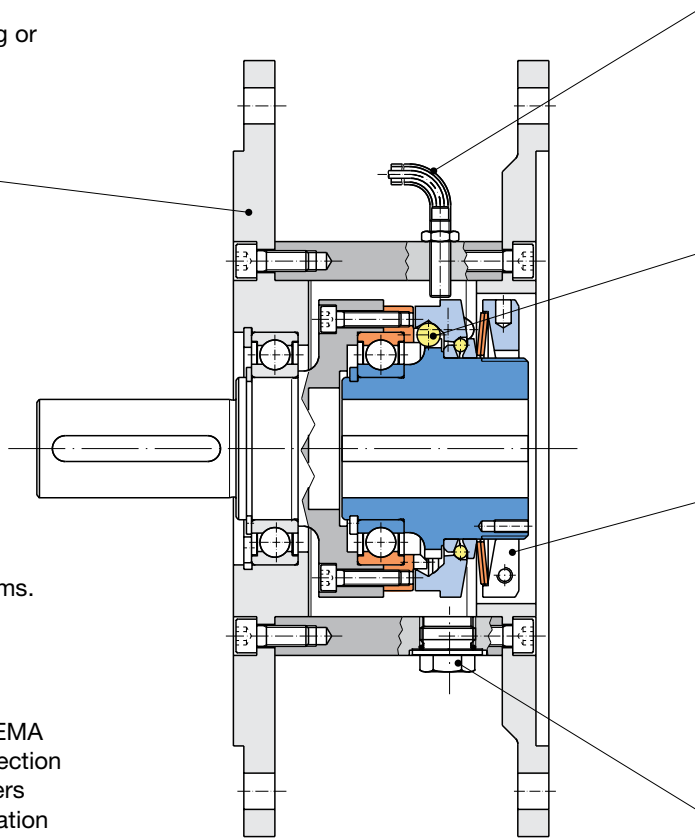
The solidity of the steel housing means that hanging loads can be attached to it.

Short Installation Length

The exceptionally short installation length makes integration easier in pre-existing constructions and systems.

IEC and NEMA

Standard IEC/B5 and NEMA dimensions on the connection flange and shaft diameters allow subsequent installation into pre-existing systems.



Integrated Limit Switch

PNP-NO contact

- Transmits signal to switch off drive on overload.
- Installation and adjustment manufacturer-side.

Backlash-free Torque Transmission

Backlash-free torque transmission using our patented EAS®-NC/EAS®-Compact® functional principle.

Torque Adjustment

Torque adjustment is carried out manufacturer-side according to the customer's wishes.

The percent graduation scale on the adjusting nut allows the customer to read the torque setting.

Hole for Re-engagement

Only on overload clutch designs.

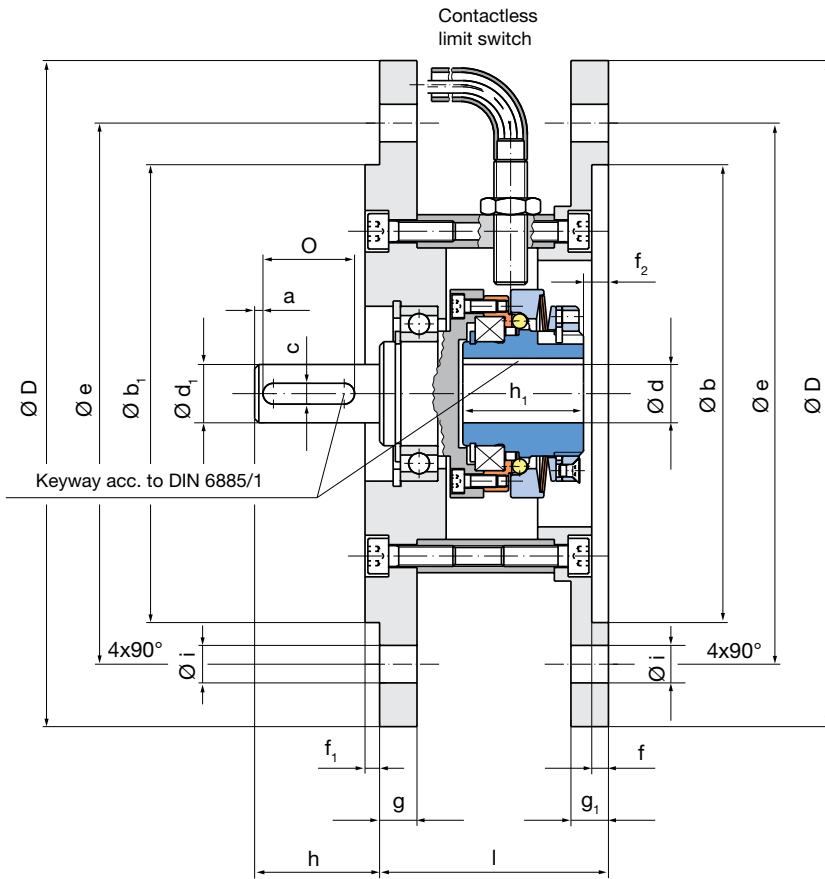
Technical Data			Size												
			71-02	80-01	56C-01	143TC-01	90-0	100-1	184TC-1	132-2	215TC-2	256TC-2	160-3	180-3	
Type		450_2_0	490_2_0		490_2_0	490_2_0		490_2_0		490_2_0		490_2_0			
Motor size	IEC	71	80	-	-	90	100	-	132	-	-	160	180		
	NEMA	-	-	56 C	143 TC	-	-	184 TC	-	215 TC	256 TC	-	-		
Clutch size		02	01		0	1		2		3					
Ratchetting, synchronous clutches	Limit torques for overload	4_0.52 ⁰ _{5.0}	M _G [Nm]		2 - 5	5 - 12.5		10 - 25		20 - 50		40 - 100		70 - 175	
	for Type	4_0.62 ⁰ _{5.0}	M _G [Nm]		5 - 10	10 - 25		20 - 50		40 - 100		80 - 200		140 - 350	
	for Type	4_0.72 ⁰ _{5.0}	M _G [Nm]		6 - 15	20 - 50		40 - 100		80 - 200		160 - 400		280 - 700	
	Max. speed	n _{max} [rpm]	4000		4000		3000		2500		2000		1200		
Overload clutches	Limit torques for overload	490.524.0	M _G [Nm]		-	5 - 12.5		10 - 25		20 - 50		40 - 100		80 - 200	
	for Type	490.624.0	M _G [Nm]		-	10 - 25		20 - 50		40 - 100		80 - 200		160 - 400	
	for Type	490.724.0	M _G [Nm]		-	20 - 50		40 - 100		80 - 200		160 - 400		320 - 800	
	Max. speed	n _{max} [rpm]	-		8000		7000		6000		5000		4000		

Order Number


— - — / 4 5 0 . — 2 — . 0

Motor size		Clutch size	Torque range		Clutch design
IEC	NEMA				
71		02	medium	5	0 Ratchetting clutch (automatic re-engagement)
80	56 C	01			
90	143 TC	0	high	6	4 Overload clutch (manual re-engagement)
100	184 TC	1			
132	215 TC	2	very high	7	5 Synchronous clutch (automatic re-engagement)
160	256 TC	3			
180					

Examples: 71 - 02 / 450.520.0 132 - 2 / 490.724.0 215 TC - 2 / 490.625.0

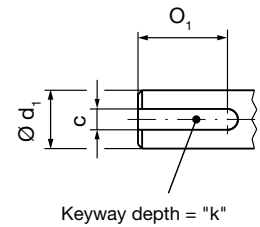


The EAS®-HTL overload clutches Type 490..24.0 are also available in



ATEX design according to directive 94/9 EC (ATEX 95).

On Type 56 C up to 256 TC



Dimensions	Size												
	71-02	80-01	90-0	100-1	132-2	160-3	180-3	56 C-01	143 TC-01	184 TC-1	215 TC-2	256 TC-2	
Type	450..2..0	490..2..0						490..2..0					
Motor size IEC	71	80	90	100	132	160	180	-	-	-	-	-	
Motor size NEMA	-	-	-	-	-	-	-	56 C	143	184	215	256	
Flange size	A 160	A 200	A 200	A 250	A 300	A 350	A 350	-	-	-	-	-	
a	2	2	2	4	6	6	7	-	-	-	-	-	
Ø b ^{+0.3} / _{+0.2}	110	130	130	180	230	250	250	4.500"	4.500"	8.500"	8.500"	8.500"	
Ø b ₁	110 _{j6}	130 _{j6}	130 _{j6}	180 _{j6}	230 _{j6}	250 _{h6}	250 _{h6}	4.500" _{j6}	4.500" _{j6}	8.500" _{j6}	8.500" _{j6}	8.500" _{j6}	
c ^{P9}	5	6	8	8	10	12	14	0.188"	0.188"	0.250"	0.310"	0.375"	
Ø D	160	200	200	250	300	350	350	180	180	250	250	250	
Ø d ^{F7}	14	19	24	28	38	42	48	0.625"	0.875"	1.125"	1.375"	1.625"	
Ø d _{1k6}	130	165	165	215	265	300	300	5.875"	5.875"	7.250"	7.250"	7.250"	
f	4	4	4	4.5	6	6	0.18"	0.180"	0.250"	0.250"	0.250"	0.250"	
f ₁	3.5	3.5	3.5	4	4	5	5	0.160"	0.160"	0.250"	0.250"	0.250"	
f ₂	Type 4_0..2 ₅ ^0.0	6	11	12	12	8	15	15	0.433"	0.433"	0.271"	0.678"	1.310"
	Type 4_0..24.0	-	6	7	12	8	23	23	0.236"	0.236"	0.271"	0.345"	1.115"
g	9	10	10	11	12	13	13	0.375"	0.375"	0.375"	0.375"	0.375"	
g ₁	9	10	10	11	12	13	13	0.375"	0.375"	0.704"	0.704"	0.704"	
h	30	40	50	60	80	110	110	2.060"	2.120"	2.870"	3.370"	4.000"	
h ₁	Type 4_0..2 ₅ ^0.0	29	40	48	59	64	75	75	1.570"	1.570"	2.320"	2.520"	2.520"
	Type 4_0..24.0	-	45	55	65	72	82	82	1.770"	1.770"	2.560"	2.830"	2.830"
Ø i	9	11	11	14	14	18	18	0.438"	0.438"	0.562"	0.562"	0.562"	
k	3	3.5	4	4	5	5	5.5	0.104"	0.104"	0.139"	0.174"	0.200"	
l	Type 4_0..2 ₅ ^0.0	55	78	90	110	110	124	126	3.070"	3.070"	4.420"	4.420"	5.280"
	Type 4_0..24.0	-	78	92	116	118	139	141	3.070"	3.070"	4.650"	4.650"	5.280"
O ₁	-	-	-	-	-	-	-	1.410"	1.410"	1.780"	2.410"	2.910"	
O	22	32	40	50	65	90	90	-	-	-	-	-	



Headquarters

Chr. Mayr GmbH + Co. KG
Eichenstrasse 1, D-87665 Mauerstetten
Tel.: 0 83 41/8 04-241, Fax: 0 83 41/80 44 22
www.mayr.de, eMail: info@mayr.de



mayr®

Service Germany

Baden-Württemberg

Roland Hanselmann
 Jochen Maurer
 Mittlere Holdergasse 5
 71672 Marbach
 Tel.: 0 71 44/1 80 34+35
 Fax: 0 71 44/1 53 20

Bavaria

Manfred Schwarz
 Eichenstrasse 1
 87665 Mauerstetten
 Tel.: 0 83 41/80 41 04
 Fax: 0 83 41/80 44 23

Franken

Jochen Held
 Unterer Markt 9
 91217 Hersbruck
 Tel.: 0 91 51/81 48 64
 Fax: 0 91 51/81 62 45

Hagen

Detlef Bracht
 Im Langenstück 6
 58093 Hagen
 Tel.: 0 23 31/78 03 0
 Fax: 0 23 31/78 03 25

Kamen

Thomas Kant
 Lünener Strasse 211
 59174 Kamen
 Tel.: 0 23 07/23 63 85
 Fax: 0 23 07/24 26 74

North

Bernd Massmann
 Schiefer Brink 8
 32699 Extertal
 Tel.: 0 57 54/9 20 77
 Fax: 0 57 54/9 20 78

Rhine-Main

Wolfgang Rattay
 Jägerstrasse 4
 64739 Höchst
 Tel.: 0 61 63/48 88
 Fax: 0 61 63/46 47

Branch office

China

Mayr Zhangjiagang
 Power Transmission Co., Ltd.
 Changxing Road No. 16,
 215600 Zhangjiagang
 Tel.: 05 12/58 91-75 62
 Fax: 05 12/58 91-75 66
 info@mayr.cn

Great Britain

Mayr Transmissions Ltd.
 Valley Road, Business Park
 Keighley, BD21 4LZ
 West Yorkshire
 Tel.: 0 15 35/66 39 00
 Fax: 0 15 35/66 32 61
 sales@mayr.co.uk

France

Mayr France S.A.
 Z.A.L. du Minopole
 BP 16
 62160 Bully-Les-Mines
 Tel.: 03.21.72.91.91
 Fax: 03.21.29.71.77
 contact@mayr.fr

Italy

Mayr Italia S.r.l.
 Viale Veneto, 3
 35020 Saonara (PD)
 Tel.: 0 49/8 79 10 20
 Fax: 0 49/8 79 10 22
 info@mayr-italia.it

Singapore

Mayr Transmission (S) PTE Ltd.
 No. 8 Boon Lay Way Unit 03-06,
 TradeHub 21
 Singapore 609964
 Tel.: 00 65/65 60 12 30
 Fax: 00 65/65 60 10 00
 info@mayr.com.sg

Switzerland

Mayr Kupplungen AG
 Tobelackerstrasse 11
 8212 Neuhausen am Rheinfall
 Tel.: 0 52/6 74 08 70
 Fax: 0 52/6 74 08 75
 info@mayr.ch

USA

Mayr Corporation
 4 North Street
 Waldwick
 NJ 07463
 Tel.: 2 01/4 45-72 10
 Fax: 2 01/4 45-80 19
 info@mayrcorp.com

Representatives

Australia

Transmission Australia Pty. Ltd.
 22 Corporate Ave,
 3178 Rowville, Victoria
 Australien
 Tel.: 0 39/7 55 44 44
 Fax: 0 39/7 55 44 11
 info@transaus.com.au

China

Mayr Shanghai
 Representative Office
 Room 506, No. 1007,
 Zhongshan South No. 2 Road
 200030 Shanghai, VR China
 Tel.: 0 21/64 57 39 52
 Fax: 0 21/64 57 56 21
 sales@mayr.com.cn

India

National Engineering
 Company (NENCO)
 J-225, M.I.D.C.
 Bhosari Pune 411026
 Tel.: 0 20/27 47 45 29
 Fax: 0 20/27 47 02 29
 nenco@vsnl.com

Japan

Sumitomo Heavy Industries
 PTC Sales Co., Ltd. (SJS)
 Think Park Tower 2-1-1 Ohsaki
 Shinagawa-ku
 Tokyo 141-6025
 Tel.: 03/67 37 25 21
 Fax: 03/68 66 51 71
 Gotou.k@sumiju.co.jp

South Africa

Torque Transfer
 Private Bag 9
 Elandsfontein 1406
 Tel.: 0 11/3 45 80 00
 Fax: 0 11/9 74 05 24
 torque@bearings.co.za

South Korea

Mayr Korea Co. Ltd.
 no. 302, 3rd floor, Kyoungnam
 Taxi Mutual Aid Association Hall,
 209-3, Myoung-Seo Dong,
 Changwon, Korea
 Tel.: 0 55/2 62-40 24
 Fax: 0 55/2 62-40 25
 info@mayrkorea.com

Taiwan

German Tech Auto Co., Ltd.
 No. 162, Hsin sheng Road,
 Taishan Hsiang,
 Taipei County 243, Taiwan R.O.C.
 Tel.: 02/29 03 09 39
 Fax: 02/29 03 06 36
 steve@zfgta.com.tw

Machine tools

Applications in China
 DTC. Co.Ltd.,
 Block 5th, No. 1699,
 East Zhulu Road,
 201700 Shanghai, China
 Tel.: 021/59883978
 Fax: 021/59883979
 dtcshanghai@online.sh.cn

More representatives:

Austria, Benelux States, Brazil, Canada, Czech Republic, Denmark, Finland, Greece, Hongkong, Hungary, Indonesia, Israel, Malaysia, New Zealand, Norway, Philippines, Poland, Romania, Russia, Slovakia, Slovenia, Spain, Sweden, Thailand, Turkey

You can find the complete address for the representative responsible for your area under www.mayr.de in the internet.

mayr®
 your reliable partner